



QUARTER-TURN COMPACT WING KNOB 13,5 MM

Vibration-resistant compact quarter-turn latch with foldable wing knob. Universal clockwise or counter-clockwise rotation when opening or closing.

Protection degree IP65 is achieved with an O-ring on the insert and a gasket on the housing.



MATERIAL

Cam and screw: Steel, zinc plated

Housing: Zinc die cast, chrome plated or black texture powder coated

Nut: Brass, zinc plated

Washer: Stainless steel 304

Wing knob: Zinc die cast, chrome plated or black texture powder coated

RELATED PRODUCTS

Accessories: 2-111

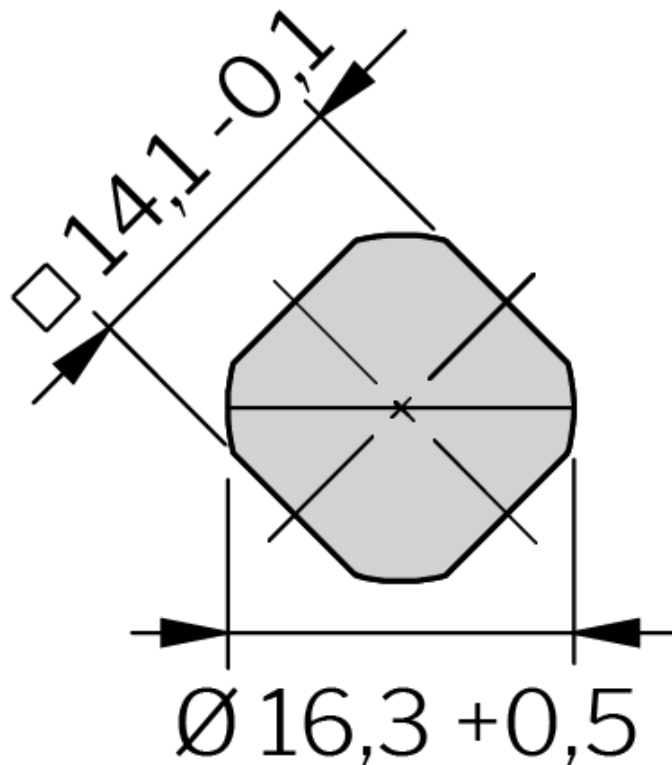
Use the Index Code at industrilas.com

TECHNICAL INFORMATION

Cutout: COMPACT

Standards: IP65

Earthing nut can be ordered separately, see related products.



COMPACT

Industrilas
— When access counts —

Make your selections in each column to create your article number (AAAA-AAAABC-HHLL)

AAAA-AAAA	Description	B Assembly	C Cam	HHLL	H/L in mm
2452-0442	Chrome	2 IP54 - cam enclosed	0 Steel	0000	No cam
2456-0446	Black	3 IP65 - cam enclosed		0724	7,5 / 24
		4 IP54 - assembled		0727	7,5 / 27
		5 IP65 - assembled		0730	7,5 / 30
				0934	9 / 34
				1027	10,5 / 27
				1324	13,5 / 24 *
				1327	13,5 / 27 *
				1627	16,5 / 27
				1834	18 / 34
				1924	19,5 / 24
				1927	19,5 / 27
				2824	28 / 24

* Straight cam.

